

Starrett®

U.S. PROMO 2017.3

PRECISION HAND TOOL PROMOTION



Starrett®
THE STONE TECHNOLOGIES DIVISION
1000 Starrett Drive, New Bedford, MA 01945
www.starrett.com

METROLOGY SOLUTIONS

3600 ELECTRONIC INDICATORS

50% OFF

- Long battery life
- Plastic storage case with clear cover
- Large, easy-to-read LCD
- Zero setting in any position
- Reverse travel (control indicates direction)
- Dust cap



3600-5

Cat. No.	EDP	Range		Resolution		Accuracy (±)		Sale Price
		in	mm	in	mm	in	mm	
3600-5	68813	0.5	12.7	0.0005	0.01	0.001	0.03	91.00
3600M-5	68918	—	12.7	—	0.01	—	0.03	91.00

3800 AND 3900 DIAL TEST INDICATORS

50% OFF

- Three dovetail positioning mounts work with most existing test indicator accessories
- Precision gear-driven design with smooth, jeweled movement
- Contact point reverses automatically, always maintaining clockwise hand rotation
- Contacts are frictionally adjustable and replaceable



3809AC

Cat. No.	EDP	Grads.	Range	Dial Reading	Dial Diameter	Sale Price
3808A	12331	.0001"	.008"	0-4-0	1-1/4"	75.50
3808AC	12303	.0001"	.008"	0-4-0	1-1/4"	105.00
3908A	12488	.0001"	.008"	0-4-0	1-9/16"	81.50
3908AC	12636	.0001"	.008"	0-4-0	1-9/16"	110.00
3809A	12333	.0005"	.030"	0-15-0	1-1/4"	49.50
3809AC	12305	.0005"	.030"	0-15-0	1-1/4"	72.00
3909A	12527	.0005"	.030"	0-15-0	1-9/16"	54.50
3909AC	12669	.0005"	.030"	0-15-0	1-9/16"	77.50

T444 OUTSIDE MICROMETERS

20% OFF

- No-glare satin chrome finish, which resists rust
- Advanced sleeve design with staggered lines and distinct figures for precise and easy readability
- Balanced frame and thimble design to ensure easy handling and better readability
- Insulated frame for prevention of temperature related expansion and contraction
- Provides quick and easy adjustment
- Reading in ten-thousandths of an inch (.0001") with vernier scale on the sleeve



T444.1XRL-1

Cat. No.	EDP	Range	Grads.	Sale Price
T444.1XRL-1	52083	0-1"	.0001"	83.20
T444.1XRL-2	52084	1-2"	.0001"	97.60
T444.1XRL-3	52085	2-3"	.0001"	108.00
T444.1XRL-4	52086	3-4"	.0001"	124.80
T444.1XRL-5	52087	4-5"	.0001"	135.20
T444.1XRL-6	52088	5-6"	.0001"	150.40

795.1 ELECTRONIC MICROMETERS

With Output



- IP67 protection against coolants, water, chips, dust and dirt often found in machine shop environments
- Balanced frame for comfortable and accurate measuring
- No-glare satin chrome finish on thimble and sleeve minimizes annoying surface glare under bright lights indoors or filters out UV light
- Large, easy-to-read, high-contrast LCD digital readout
- Spindle lock
- Micro-lapped carbide measuring faces
- SPC output capability



795.1XFL-1

Cat. No.	EDP	Range	Resolution	Accuracy	Sale Price
795.1XFL-1	01100	0-1"	.00005"	±.0001"	255.55
795.1XFL-2	01101	1-2"	.00005"	±.0001"	293.55
795.1XRL-1	01108	0-1"	.00005"	±.0001"	255.55
795.1XRL-2	01109	1-2"	.00005"	±.0001"	293.55

796.1 ELECTRONIC OUTSIDE MICROMETERS



- IP67 protection against coolants, water, chips, dust and dirt often found in machine shop environments
- Balanced frame for comfortable and accurate measuring
- No-glare satin chrome finish on thimble and sleeve minimizes annoying surface glare under bright lights indoors or filters UV light
- Large, easy-to-read, high contrast LCD digital readout
- Spindle lock
- Micro-lapped carbide measuring faces



796.1XFL-1

Cat. No.	EDP	Range	Resolution	Accuracy	Sale Price
796.1XFL-1	01104	0-1"	.00005"	±.0001"	190.00
796.1XFL-2	01105	0-2"	.00005"	±.0001"	252.70
796.1XRL-1	01116	0-1"	.00005"	±.0001"	190.00
796.1XRL-2	01117	1-2"	.00005"	±.0001"	252.70

3732 ELECTRONIC MICROMETERS

Without Output

- Balanced frame design for comfortable and accurate measuring
- Large, easy-to-read, high-contrast LCD digital readout
- No-glare black wrinkle finish on frame
- Hard and stable one-piece friction thimble permits one-hand operation of micrometer and uniform contact pressure



3732XFL-1

Cat. No.	EDP	Range	Resolution	Accuracy	Sale Price
3732XFL-1	12268	0-1"	0.00005"	± 0.0001"	133.95
3732XFL-2	12269	1-2"	0.00005"	± 0.0001"	190.00
3732XFL-3	12270	2-3"	0.00005"	± 0.0001"	241.30
3732XFL-4	12271	3-4"	0.00005"	± 0.00015"	269.80

3206 OUTSIDE MICROMETER STAND

- Tilting head clamping: 3/4" thick x 1" throat depth (19mm x 25mm)



Cat. No.	EDP	Description	Sale Price
3206	68917	Outside micrometer stand	106.40

798 ELECTRONIC CALIPERS



- IP67 level of protection against, coolant, dirt and dust
- With and without output
- Fine adjustment
- Hardened stainless steel measuring surfaces
- Large, easy-to-read, high contrast LCD digital readout



Cat. No.	EDP	Range	Resolution	Output	Sale Price
798A-6/150	20798	6"	.0005"		202.35
798A-8/200	20799	8"	.0005"		263.15
798A-12/300	20800	12"	.0005"		391.40
798B-6/150	12521	6"	.0005"	x	243.20
798B-8/200	12523	8"	.0005"	x	300.20
798B-12/300	12525	12"	.0005"	x	437.95
798BX-6/150	12782	0-6"	.0005"	x	355.30

DATASURE® WIRELESS DATA COLLECTION

DataSure Facts

DataSure Wireless Data Collection consists of three primary components:

- Miniature radios (End Nodes) attached to the data output port of an electronic tool
- A Gateway that connects to a PC
- Routers to extend the system's range and make the network more robust

A Comprehensive, Robust Solution

- Works in almost any environment
- Maintains data integrity in electronically noisy shops
- Data receipt confirmation signal
- DataSure stores several readings
- DataSure adapts to all major electronic measuring tools
- "IT" friendly and easily installs on a standard PC

Cat. No.	EDP	Description	Sale Price
1500-1-N	12745	Gateway, USB, 917MHz	1,417.40
1500-2-N	12059	Router, 916MHz, 120/240 VAC	1,009.85
1500-3A-18N	12565	End Node for 798 Slide Caliper	617.50
1500-3A-21N	00046	End Node for 2900 Indicators	617.50
1500-3A-23N	72635	End Node for EC799 Slide Caliper	617.50
1500-3A-24N	72662	End Node for 795.1 Micrometer	617.50

EC799 ELECTRONIC CALIPERS

NEW!

- Lightweight, ergonomic design
- Inch/millimeter conversion reads .0005" or 0.01mm
- Easy access to the single, long-life battery
- Last measuring position retained when shut off
- Hardened stainless steel body for long life
- Find adjustment thumb wheel
- Resolution: .0005" (0.01mm)
- Lock screw to hold the slide in position
- Zero at any position



Cat. No.	EDP	Range	Output	Sale Price
EC799A-6/150	00142	0-6"		150.10
EC799A-8/200	00145	0-8"		210.90
EC799A-12/300	00148	0-12"		315.40
EC799B-6/150	00143	0-6"	x	190.95
EC799B-8/200	00146	0-8"	x	252.70
EC799B-12/300	00149	0-12"	x	375.25

3202 SLIDE CALIPERS

NEW!

- Provide quick accurate measurement of O.D. and depth
- Sharp, clear dial graduations
- Sharp, black graduations on satin finished bar
- Hardened stainless steel
- Lock screws for sliding jaw and dial bezel



Cat. No.	EDP	Range	Grads.	Sale Price
3202-6	61467	0-6"	.001"	96.90
3202-8	61468	0-8"	.001"	139.65
3202-12	61466	0-12"	.001"	203.30



FORCE GAGES

Starrett has introduced two new handheld force gages - the DFC and DFG. Starrett force gages come with a standard 3-year warranty and Certificate of Calibration traceable to NIST. Starrett delivers better solutions for your force measurement applications.

DIGITAL FORCE TESTERS

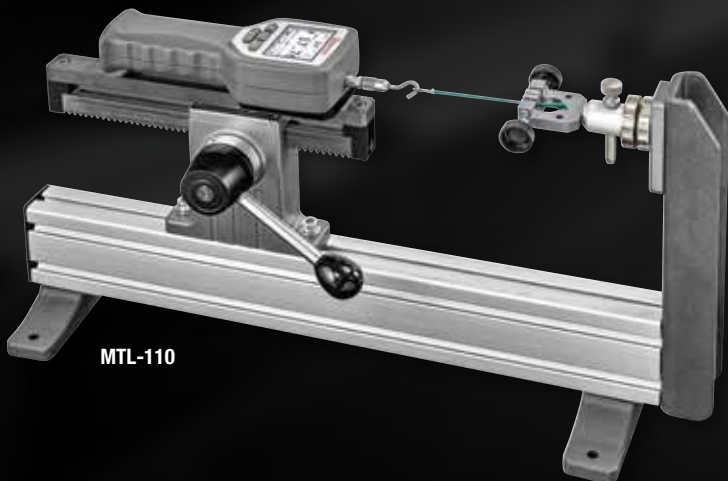
The new FMM Digital Force testers ensure accurate, precise and repeatable results. Combine with our L1 software or with our DFC Force Controller or DFG Force Gauge for an economical solution for your testing applications. Six new models available today. Compact design. Simple operation. Easy-to-use and easier to maintain.

FORCE TESTERS

The new MTL-110 is ideal for basic, manual force testing. The easy action lever ensures smooth, consistent tensile or compressive force on your testing sample. Add our new DFG Force Gauge for a very economical testing solution for small parts, springs, components, and more. Available in both vertical and horizontal formats.

The new MTH-550 provides precision crosshead control to a load capacity of 550 lbf (2500N). Rotating the handwheel moves the worm gear assembly 0.03" (0.76mm) per revolution. The MTH-550 has a full 4" (101mm) stroke.

FMM-550 with DFC



MTL-110



**FORCE MEASUREMENT +
MATERIAL TESTING**

LET STARRETT SHOW YOU HOW.
Contact your starrett representative for a demo.



3753 ELECTRONIC DEPTH GAGES

With and Without Output

- Hardened stainless steel body and slide for long life
- Fine adjustment thumb roll for precision measurements



3753A-6/150



3753B-6/150

Cat. No.	EDP	Range	Resolution	Output	Sale Price
3753A-6/150	12258	0-6"	.0005"		284.05
3753A-8/200	12259	0-8"	.0005"		302.10
3753A-12/300	12260	0-12"	.0005"		365.75
3753B-6/150	12690	0 - 6"	.0005"	x	361.00

3754 ELECTRONIC HEIGHT GAGES

NEW!

- Large (.380"/9.65mm), easy-to-read LCD display reads to .0005" or 0.01mm
- Large positive action keypad
- Relative scale
- Fine adjust
- Furnished with two (2) 3-volt batteries (CR2032) and carbide tip scriber
- Improved battery cover



3754-12/300

Cat. No.	EDP	Range	Accuracy	Resolution	Sale Price
3754-12/300	46003	0-12 0-300	0.001"	.0005"	1,283.45
3754-24/600	72625	0-24 0-600	.002" (>18")	.0005"	782.80

770B ELECTRONIC BORE GAGES

NEW PRICING

- Larger and clearer LCD display
- Updated electronics
- Standard proximity output
- Simple two button operation
- 4 preset memories
- Range: .08 - 12"



770BXTZ-2

Cat. No.	EDP	Range	Sale Price
770BXTZ-250	72543	0.200 - 0.250"	2,232.50
770BXTZ-312	72544	1/4 - 5/16"	1,659.65
770BXTZ-375	72545	5/16 - 3/8"	1,659.65
770BXTZ-500	72546	3/8 - 1/2"	1,645.40
770BXTZ-138	72562	1 - 1-3/8"	2,233.45
770BXTZ-2	72563	1-3/8 - 2"	2,255.30
770BXTZ-258	72564	2 - 2-5/8"	2,614.40

*Discount honored for all sizes.

781B ACCUBORE® ELECTRONIC BORE GAGES

NEW PRICING

- Single-hand operation with right and left hand viewing flexibility
- Large easy-to-read digital display
- Enhanced wear life with carbide-face contacts - available from 1/2" to 8"
- Convenient "Go/No Go" tolerance indicator lights
- Range: .08 - 12"
- Resolution: .00005"
- Accuracy: .00015"



781BXTZ-2

Cat. No.	EDP	Range	Sale Price
781BXTZ-250	73011	.200-.250"	2,768.34
S781BXTZ	72995	.750-2.000"	3,622.68
781BXTZ-2	73013	1.375-2.000"	2,594.15
781BXTZ-314	73008	2.625-3.250"	2,652.22

*Discount honored for all sizes.

2900 ELECTRONIC INDICATORS

- True Absolute Sensor Technology - remembers position and zero set point even during battery replacement. Cannot be "over-spun" into failure.
- Intuitive design and layout - easy to learn and use
- Positive, tactile-feel button activation
- IP67 protection against dirt, dust, water and coolant to withstand hostile shop environments
- Useful on deep recessed parts

NEW!



2900-1-2

Cat. No.	EDP	Range	Resolution	Accuracy	Sale Price
2900-1-2	72676	2" (50mm)	.00005" (0.001mm)	±.00012" (±0.003mm)	783.75
2900-4-2	72677	2" (50mm)	.0005"/.0001"/.00005" (0.01mm/0.001mm)	±.00012" (±0.003mm)	835.05
2900-6-2	72678	2" (50mm)	.0005"/.0001"/.00005" (0.01mm/0.001mm)	±.00012" (±0.003mm)	917.70

2700-800 BACKLIGHT DIGITAL INDICATORS

NEW!

- Backlight relates a reading to tolerance values
- SPC Cables USB, MTI, RS232
- Feature rich
- Analog visual display
- T.I.R. with low and high storage recall
- Lock combination
- USB/AC power cable included
- Software included
- AC power source



Cat. No.	EDP	Range	Resolution	Sale Price
2700-800	72758	1"	.0001"	521.55
2700-801	72759	1"	.000050"	569.05
2700-802	72760	2"	.0005"	749.55
2700-803	72761	2"	.0001"	759.05
2700-804	72762	4"	.0005"	1,078.25
2700-805	72763	4"	.0001"	1,125.75

2700 SMARTCABLES™

- Simple Set-up, your PC automatically installs USB driver when the SmartCable is plugged into PC's USB port
- Supports USB 2.0, RS232 and Keyboard (optional) output
- Simple plug and play set up – doesn't require software configuration
- Operating modes: Static (Normal) mode operation or Dynamic (MIN/MAX/TIR)
- LED status light



Cat. No.	EDP	Description	Sale Price
2700SCU	23956	Cable- 2700SCU USB Cable (IQ Series)	95.00
2700SCM	69896	SmartCable Gage MUX - 2700 Indicator for Basic- Plus- and Remotes	107.35
2700SCKB	69891	SmartCable USB Keyboard Output - 2700 Indicator for Basic- Plus- and Remotes	216.60

RMS REMOTE DISPLAY

NEW!

- 7" Android tablet with intuitive software application for easy process monitoring, setup, and data export
- Flexible data requesting and logging (.CSV to Micro SD Card, E-mail, PC transfer) with programmable auto logging and collection
- Multiplexer connection for up to four devices (Indicators, Calipers, Micrometers, Probes, etc.)
- Supports both Digimatic and Quadrature gage systems
- "Send All" or "Request All" data to/from all gages
- TIR, Max., Min. and Freeze Hold, Travel Reverse
- USB Type A and B, RS232 connection
- High quality, low profile enclosure
- Bright LED power indication
- IN, MM and No Units setting
- Programmable Ratios
- Four channel view



Cat No.	EDP	Description/Range	Resolution	AGD Size	Sale Price
RMS2704	72954	RMS4 readout/data collection system with tablet, software MUX box	—	—	1,139.05
P27300-1	72955	.060" / 1.5mm Probe	.0001"(.002mm)	2	284.05
P27400-1	72957	.150" / 3.8mm Probe	.0001"(.002mm)	2	284.05
P27211-1	72963	1.0" / 25.4mm Probe	.0001"(.002mm)	3	303.05



U.S. PROMO 2017.3

The logo for Starrett, featuring the word "Starrett" in a bold, red, serif font with a registered trademark symbol (®) to the upper right of the letter 't'.

THE L.S. STARRETT COMPANY - CORPORATE HEADQUARTERS

Phone: (978) 249-3551 | Fax: (978) 249-8495
121 Crescent Street - Athol, MA 01331 - USA