

QM-Height

SERIES 518 — High Precision ABSOLUTE Digital Height Gage

FEATURES

- Newly developed high accuracy and high resolution ABSOLUTE linear encoder for position detection.
- Easy reference icon keys.
- Possible to measure inside/outside diameter via unique process (detect the circle apex and process by tracing measurement).
- Various types of optional probes are available.
- Large size LCD with back light.
- GO/±NG judgment is performed by setting the upper and lower tolerances. If a judgment result is out of tolerance, the display backlighting changes from green to red, so tolerance judgment can be made at a glance.
- Slider elevation knob (for travel) / wheel (for measurement).
- With SPC and USB output.



64PKA130A

64PKA129A



Technical Data

Measuring range*: 0 - 18.3" or 0 - 28.1"
 0 - 465mm or 0 - 715mm
 Slider stroke: 14" / 350mm or 24" / 600mm
 Resolution: .00005" / .0001" / .0002" / 0.001 / 0.005mm or 0.001 / 0.005mm
 Accuracy at 20°C: Refer to the list of specifications
 Guiding method: Roller bearing
 Drive method: Manual
 Length standard: ABSOLUTE electromagnetic induction type linear encoder
 Measuring force: 1.5±0.5N
 Display: LCD
 Power supply: AC adapter (06AEG180JA) 120V battery (LR6x4)
 Battery operation time: Refer to the list of specifications
 * Maximum values are obtained with the probe at the highest position. Any change of the probe orientation requires the coordinate system be re-zeroed. With the probe in the highest position, minimum measurable height is 4.53"/115mm.

SPECIFICATIONS

Inch/Metric

Order No.	64PKA094A	64PKA095A	64PKA129A	64PKA130A
Model	QMH-14"A	QMH-24"A	QMH-14"B	QMH-24"B
Range	0 - 14" / 0-350mm	0 - 24" / 0-600mm	0 - 14" / 0-350mm	0 - 24" / 0-600mm
Resolution	0.001 / 0.0005mm / 0.00005" / .0001"			
Accuracy	±(2.4+2.1L/600)µm L = Measuring length (mm)			
at 20°C	Repeatability*1 2σ ≤ 1.8µm			
Perpendicularity	7µm	12µm	7µm	12µm
Guiding method	Roller bearing			
Drive method	Manual Operation			
Scale type	Electromagnetic induction type ABSOLUTE linear encoder			
Measuring force	1.5±0.5(N)			
Data Output	Digimatic output/USB			
Pneumatic floating system	NA		Included (for movement only)	
Power supply	AC adapter battery / (LR6 x 4) Standard accessory / Nickel metal hydride battery (x4)			
Battery operation time	Approx. 300 hours (Not using pneumatic floating system)			
	Approx. 80 hours (Using pneumatic floating system regularly)			
Standard Accessories	Stepped probe (05H2A148) Probe diameter calibration block (12AAA715) LR6 Battery / AC Adapter (06AEG180JA) 120V			
Mass	55.16 lbs (25kg)	63.93 lbs (29kg)	57.32 lbs (26kg)	66.14 lbs (30kg)
Dimensions	41.85"x21.85x18.94" 1063(W)x555(D)x481(H)	51.02"x21.85x18.94" 1296(W)x555(D)x481(H)	41.85"x21.85x18.94" 1063(W)x555(D)x481(H)	51.02"x21.85x18.94" 1296(W)x555(D)x481(H)
Main Unit	518-231	518-233	518-235	518-237



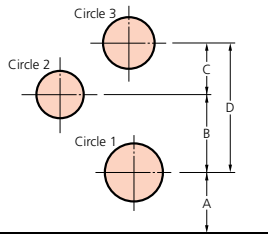
*1 Guaranteed when using the standard eccentric ø5 probe.

Optional Accessories

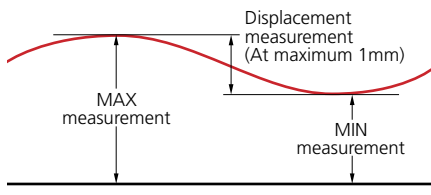
- 12AAC072:** Depth probe
- 12AAA792:** Dial indicator (ø8mm stem) holder
- 12AAA837:** Dial indicator (ø3/8" stem) holder
- 12AAA793:** Probe extension holder (3.3" / 85mm)
- 12AAF667:** ø2mm ruby ball probe
- 957261:** ø2mm ball probe
- 957262:** ø3mm ball probe
- 957263:** ø4mm ball probe
- 05HAA394:** ø5mm ball probe (for 05HZA148)
- 12AAB552:** ø10 mm ball probe, L=55mm
- 12AAF670:** ø5mm disk probe
- 12AAF671:** ø10mm disk probe
- 957264:** ø14mm disk probe
- 957265:** ø20mm disk probe
- 12AAA788:** ø4mm ball offset probe
- 05HAA394:** ø5mm ball offset probe
- 12AAA789:** ø6mm ball offset probe
- 05HZA173:** Scriber
- 264-504-5A:** DP-1VR
- 936937:** SPC cable (40" / 1m)
- 965014:** SPC cable (80" / 2m)

Circle pitch measurement

The length A, B, C and D can be determined by measuring circles 1 to 3 once each, using the memory of measuring data together with the calculation function. (A maximum of nine circle measurement data can be saved.)

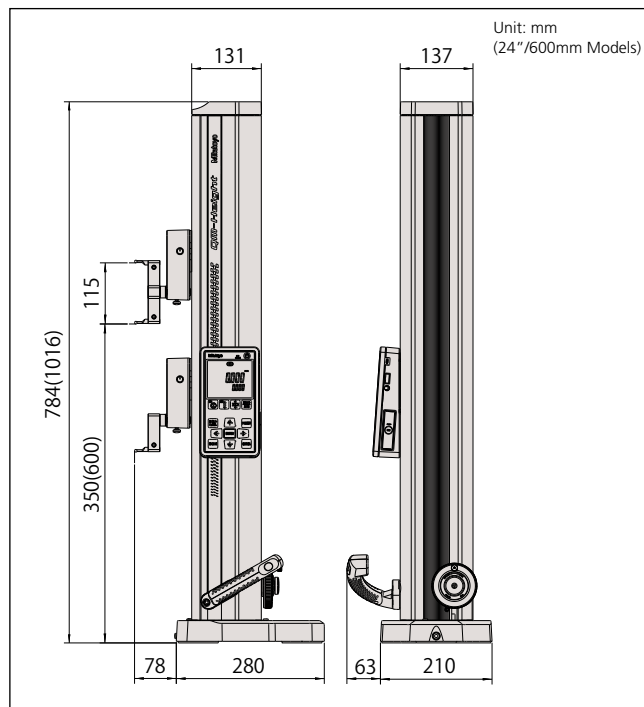


Maximum/minimum and displacement measurement



Inside diameter measurement

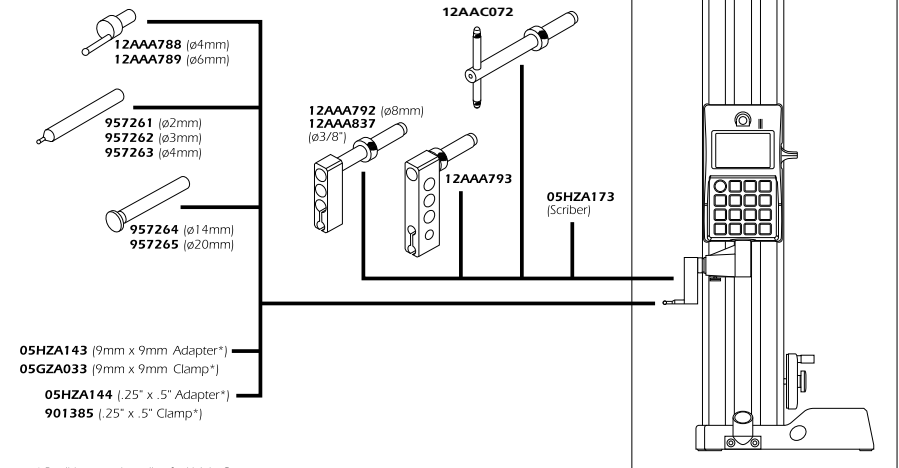
DIMENSIONS



Digimatic mini processor DP-1VR



936937 (1m)
965014 (2m)



* Possible to use the scriber for Height Gage.